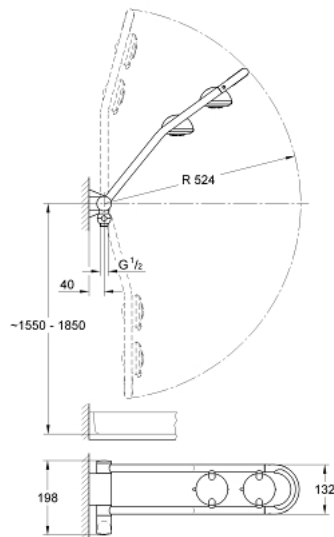


27 004 000 FREEHANDER SHOWER SYSTEM FOR WALL MOUNTING

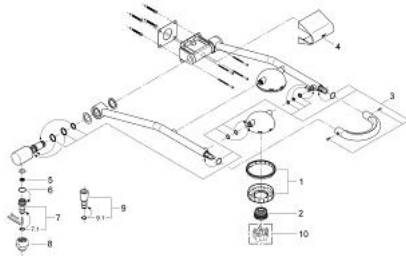


PRODUCT DESCRIPTION

- Colour: chrome
- with two rotating shower heads
- adjustable for use as head or side shower
- 1 shower head with wide, Pulsator and Eco spray
- 1 shower head with wide and pulsator spray
- lockable
- both heads with SpeedClean anti lime-scale system
- self stopping joint
- Grohclick elements for shower hose and hand shower
- GROHE Long-Life finish
- not suitable for instantaneous heater
- min. recommended pressure 1.0 bar



27 004 000 FREEHANDER SHOWER SYSTEM FOR WALL MOUNTING



SPARE PARTS, June 2007 – spareParts.validDate.now

- 1: Spray faceplate (Order-nr. 45877P00)
- 2: Replacement Pulsator element (Order-nr. 45656XX0)
- 3: Seal kit (Order-nr. 45878000)
- 4: Cover cap (Order-nr. 45879000)
- 5: Dirt strainer (Order-nr. 0700200M)
- 6: O-ring Ø 18.2 x Ø 1.7 (Order-nr. 0392400M)
- 7: Coupling piece (Order-nr. 28635XX0)
- 7.1: Sealing washer Ø 11 x Ø 2 (Order-nr. 0122400M)
- 8: Quick coupling (Order-nr. 45899000)
- 9: Shower nipple (Order-nr. 45900000)
- 9.1: Sealing washer Ø 11 x Ø 2 (Order-nr. 0122400M)
- 10: Disassembling key (Order-nr. 45654000)*

* Optional accessories