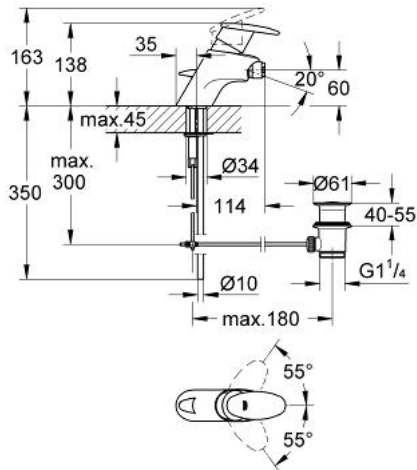


33 227 IP0 TARON SINGLE-LEVER BIDET MIXER

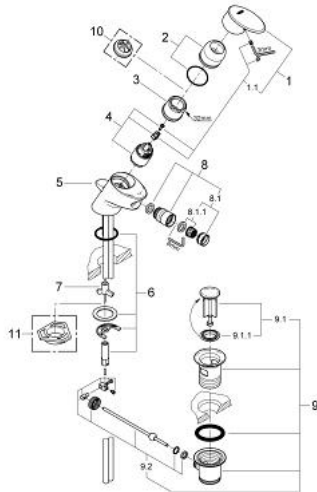


PRODUCT DESCRIPTION

- Colour: chrome/matt chrome
- single hole installation
- GROHE SilkMove 35 mm ceramic cartridge
- adjustable flow rate limiter
- ball-joint mousseur
- pop-up waste set 1 1/4"
- copper pipes
- rapid-installation-system
- optional temperature limiter ref. no. 46 375
- GROHE Long-Life finish



33 227 IP0 TARON SINGLE-LEVER BIDET MIXER



SPARE PARTS, January 2002 – now

- 1: Lever (Order-nr. 46371IP0)
 - 1.1: Fixing set (Order-nr. 46372V00)
 - 2: Shield (Order-nr. 46373000)
 - 3: Ring (Order-nr. 03425000)
 - 4: Cartridge (Order-nr. 46374000)
 - 5: Pop-up rod (Order-nr. 46376000)
 - 6: Shank mounting kit (Order-nr. 46122000)
 - 7: Compensation ring (Order-nr. 03435000)
 - 8: Ball-joint Mousseur (Order-nr. 13912000)
 - 8.1: Mousseur (Order-nr. 13929000)
 - 8.1.1: Repl.kit f.Mousseur M22x1 and M24x1 (Order-nr. 45002000)
 - 9: Pop-up waste set 1 1/4" (Order-nr. 28910000)
 - 9.1: Plug (Order-nr. 07182000)
 - 9.2: Eccentric rod (Order-nr. 07052000)
 - 10: Temperature limiter (Order-nr. 46375000)*
 - 11: Support plate (Order-nr. 05334000)*
- * Optional accessories