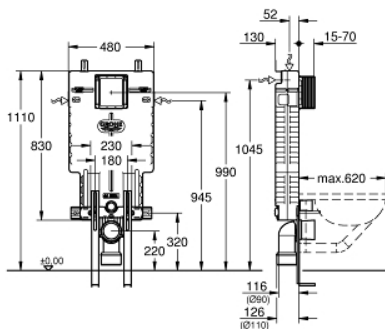


38 642 001 UNISSET ELEMENT FOR WC WITH EPS HOUSING AND SUPPORT FEET

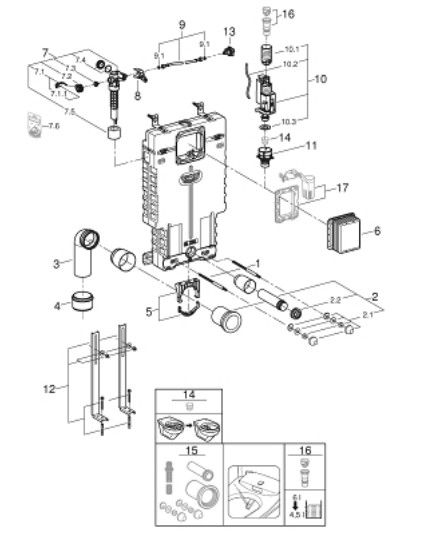


PRODUCT DESCRIPTION

- with flushing cistern GD 2, 6 l - 9 l
- sound-insulating EPS module for masonry-in
- 830 x 470 x 130 mm
- rail adaptors for modular fixing
- wall rail with fixing accessories for single installation
- 2 WC fixing bolts
- distance of fixing bolts 180/230 mm
- fixing device for ceramic
- outlet bend Ø 90 mm
- depth adjustable
- reducer Ø 90/110 mm
- inlet and outlet connecting set
- flushing cistern GD 2, 6 - 9 l, containing following features:
 - factory set 6 l and 3 l
 - pneumatic discharge valve offering 2 modes of operation: dual flush or single flush
 - connection from left/right/back or top
 - low noise (group I acc. to German Noise Specification)
 - Insulated against condensation
 - ½" water supply connection including integrated angle valve and push fit flexible hose union
- no tools required for the installation of the inspection shaft incl. protection during construction phase
- preparation for shower toilets with additional accessory 40 899 000 (sold separately)
- for mounting of small flush plates please order revision shaft 40 911 000 (sold separately)



38 642 001 UNISET ELEMENT FOR WC WITH EPS HOUSING AND SUPPORT FEET



SPARE PARTS, November 2021 – now

- 1: Threaded bolt (Spare part-nr. 4276400M)
- 2: WC inlet and outlet connecting set (Spare part-nr. 37311K00)
- 2.1: Basin fastening (Spare part-nr. 43511SH0)
- 2.2: Connector (Spare part-nr. 37119000)
- 3: PP-outlet bend Ø 90 mm (Spare part-nr. 42327000)
- 4: 4" outlet adaptor for Rapid SL (Spare part-nr. 42242000)
- 5: Support for outlet bend (Spare part-nr. 42243000)
- 6: Inspection shaft (Spare part-nr. 66783000)
- 7: Filling valve (Spare part-nr. 37095000)
- 7.1: Lever (Spare part-nr. 43734000)
- 7.1.1: Sealing washer (Spare part-nr. 4377000M)
- 7.2: Valve head (Spare part-nr. 43536000)
- 7.3: Membrane (Spare part-nr. 4375800M)
- 7.4: Screw cap (Spare part-nr. 43735000)
- 7.5: Valve FLOAT, 5 pcs.. (Spare part-nr. 4379100M)
- 7.6: Set of seals (Spare part-nr. 43722000)*
- 8: Support device (Spare part-nr. 42246000)
- 9: Connecting hose (Spare part-nr. 42233000)
- 9.1: O-Ring (Spare part-nr. 0319100M)
- 10: Dual Flush discharge valve AV1 (Spare part-nr. 42320000)
- 10.1: Extension for overflow pipe (Spare part-nr. 42313000)
- 10.2: Pneumatic hose (Spare part-nr. 42319000)
- 10.3: Sealing washer (Spare part-nr. 42310000)
- 11: Valve seat (Spare part-nr. 42599000)
- 12: Support feet (Spare part-nr. 37304000)
- 13: Water Connection (Spare part-nr. 48561000)
- 14: Flow restrictor (Spare part-nr. 42300000)*
- 14.1: Retrofit kit for shower toilets Sensia Arena and IGS (Spare part-nr. 4089900)*
- 14.2: Adapter for shower toilets Sensia Arena and IGS (Spare part-nr. 4089900)*
- 14.3: Adapter for shower toilets Sensia Arena and IGS (Spare part-nr. 4089900)*
- 14.4: Adapter for shower toilets Sensia Arena and IGS (Spare part-nr. 4089900)*
- 14.5: Adapter for shower toilets Sensia Arena and IGS (Spare part-nr. 4089900)*
- 16: 4.5 l adapter for GD2 (Spare part-nr. 42333000)*
- 17: Dual flush valve set (Spare part-nr. 38796000)*

* Optional accessories